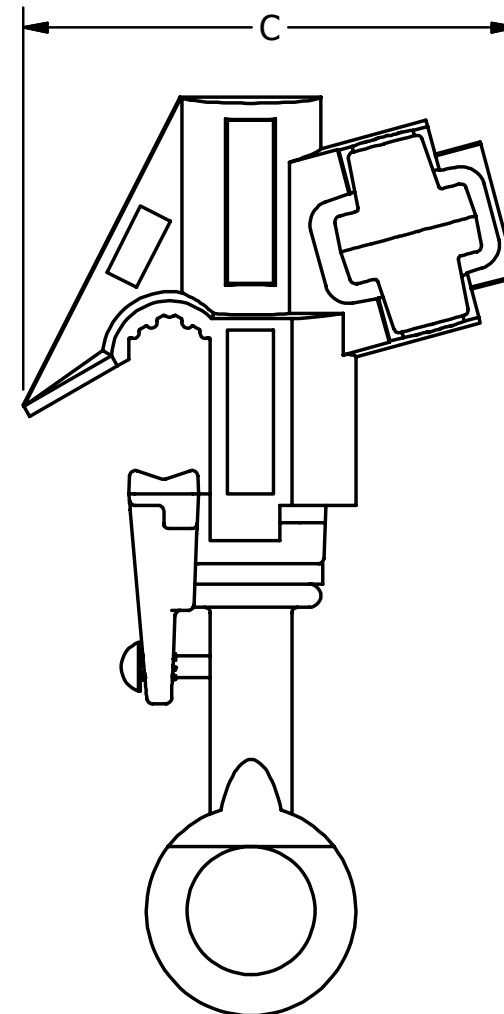
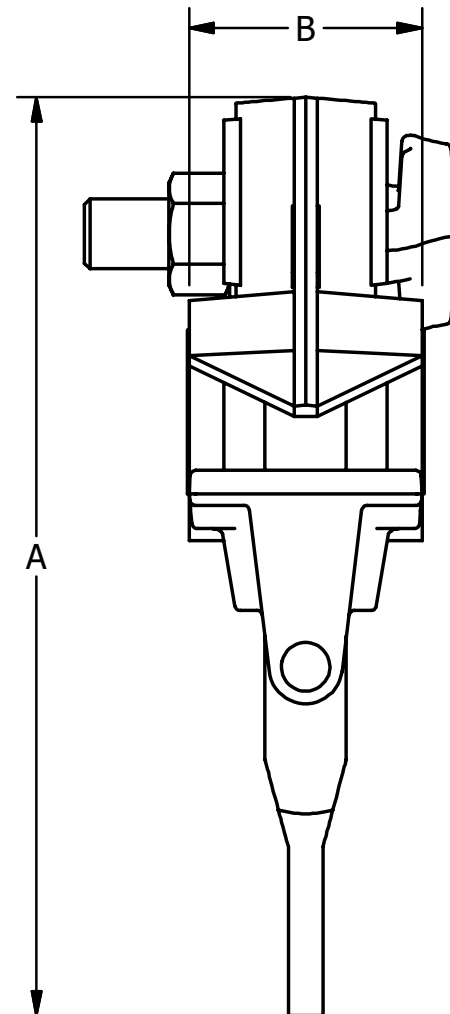
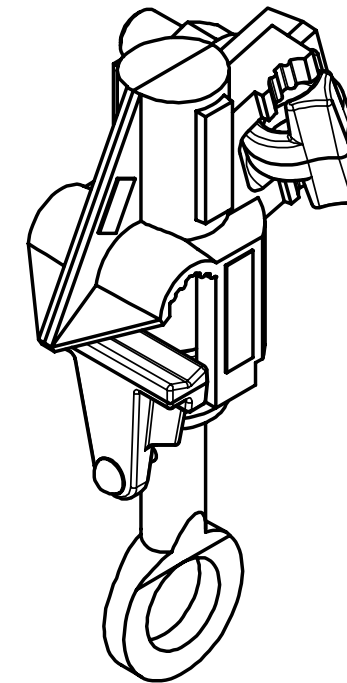


CAT. NO.	RUN	TAP	A	B	C	TAP NUT	FINISH
HLA-2/0	#8 SOL - 2/0 STR	#8 SOL - 2/0 STR	4.50 [114]	1.25 [32]	2.75 [70]	9/16	--
HLA-2/0I							--
HLA-2/0T							TIN-PLATED
HLA-2/0TI							



MATERIAL: ALUMINUM
 RUN CONNECTION - ALUMINUM
 TAP CONNECTION - ALUM. OR COPPER

					TO ORDER CMC PRODUCTS CALL 1-513-860-4455 FOR PRODUCT INFO: http://www.cmclugs.com	DRAWN BY: TS 09-12-19	NAME OF PART: HOT LINE CLAMPS	CAT. NO.: SEE TABLE
						CHECKED BY:	DWG NO.: C58701790-S (CHARTED)	A
A	NEW DRAWING CREATED		09-12-19	TS		DRAWING NOT TO SCALE		SHEET NO: 1 OF 1
REV.	DESCRIPTION	ECN	DATE	INIT.				

